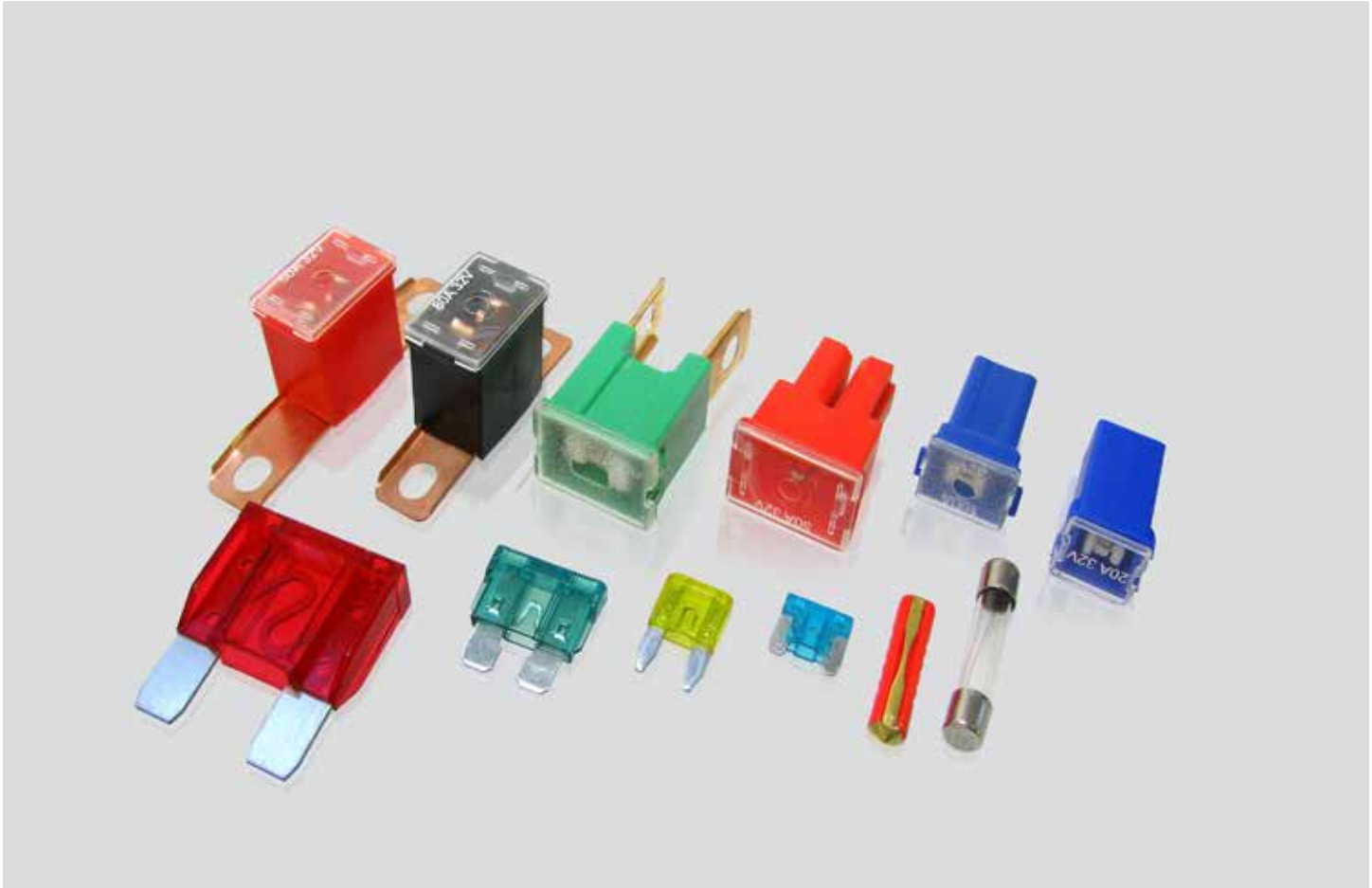
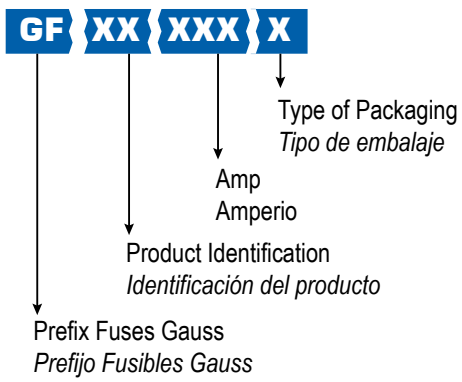


ELECTRICAL SPARE PART | PIEZA ELÉCTRICA

FUSE | FUSIBLE



GAUSS CODE | CÓDIGO GAUSS



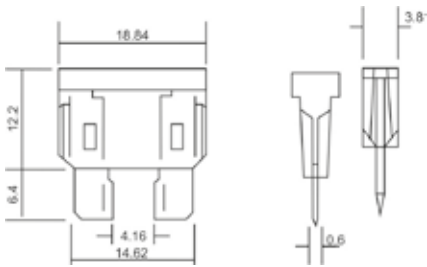
Examples | Ejemplos:

GF	10	003	A
GF	14	025	C
GF	18	120	E

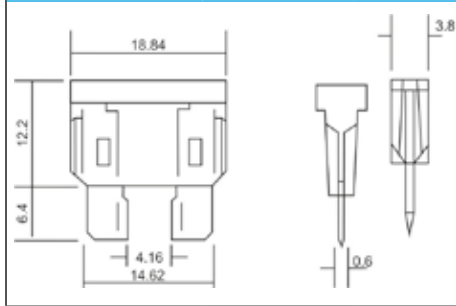
A	= Blister with 10 units	Blister con 10 unidades
C	= Box with 100 units	Caja con 100 unidades
E	= Box with 10 units	Caja con 10 unidades
F	= Box with 20 units	Caja con 20 unidades
G	= Box with 200 units	Caja con 200 unidades
H	= Box with 40 units	Caja con 40 unidades

STANDARD BLADE

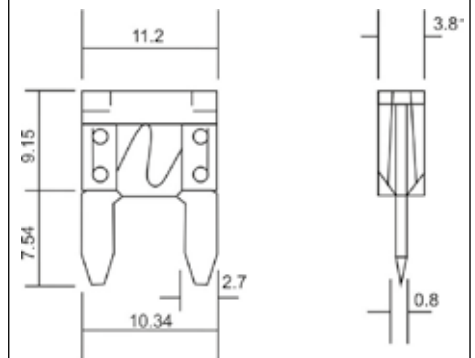

CODE CÓDIGO	QUANT.	AMP
GF10003C	Box/Caja 100	3A
GF10004C	Box/Caja 100	4A
GF10005C	Box/Caja 100	5A
GF10007C	Box/Caja 100	7,5A
GF10010C	Box/Caja 100	10A
GF10015C	Box/Caja 100	15A
GF10020C	Box/Caja 100	20A
GF10025C	Box/Caja 100	25A
GF10030C	Box/Caja 100	30A
GF10035C	Box/Caja 100	35A
GF10040C	Box/Caja 100	40A


STANDARD BLADE - MIX

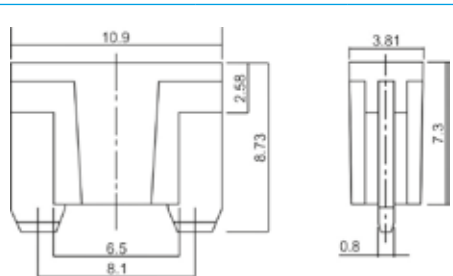

CODE CÓDIGO	QUANT.	AMP
GF10000C	Box/Caja 100	10X5A / 10X7,5A/ 20X10A/ 20X15A/ 20X20A/ 10X25A/ 10X30A


MINI

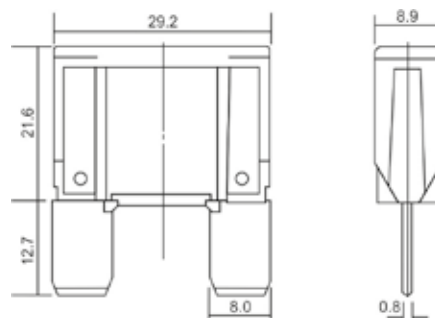

CODE CÓDIGO	QUANT.	AMP
GF11003G	Box/Caja 200	3A
GF11004G	Box/Caja 200	4A
GF11005G	Box/Caja 200	5A
GF11007G	Box/Caja 200	7,5A
GF11010G	Box/Caja 200	10A
GF11015G	Box/Caja 200	15A
GF11020G	Box/Caja 200	20A
GF11025G	Box/Caja 200	25A
GF11030G	Box/Caja 200	30A


MINI

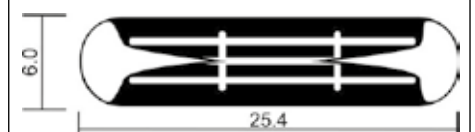

CODE CÓDIGO	QUANT.	AMP
GF12005G	Box/Caja 200	5A
GF12007G	Box/Caja 200	7,5A
GF12010G	Box/Caja 200	10A
GF12015G	Box/Caja 200	15A
GF12020G	Box/Caja 200	20A
GF12025G	Box/Caja 200	25A
GF12030G	Box/Caja 200	30A


MAXI


CODE CÓDIGO	QUANT.	AMP
GF13020F	Box/Caja 20	20A
GF13030F	Box/Caja 20	30A
GF13040F	Box/Caja 20	40A
GF13050F	Box/Caja 20	50A
GF13060F	Box/Caja 20	60A
GF13070F	Box/Caja 20	70A
GF13080F	Box/Caja 20	80A
GF13100F	Box/Caja 20	100A

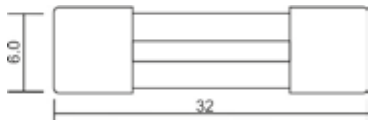

CERAMIC


CODE CÓDIGO	QUANT.	AMP
GF14008A	Blister 10	8A
GF14015A	Blister 10	15A
GF14020A	Blister 10	20A
GF14025A	Blister 10	25A
GF14030A	Blister 10	30A

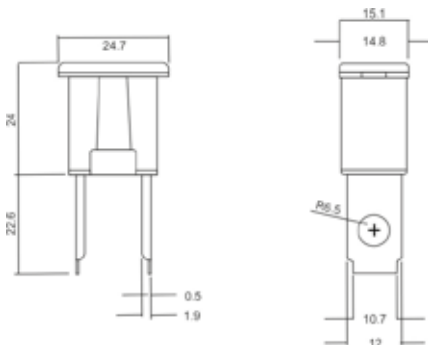


GLASS

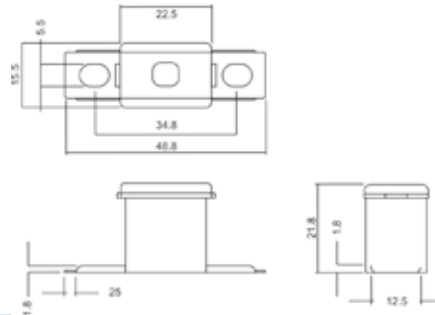

CODE CÓDIGO	QUANT.	AMP
GF15005A	Blister 10	5A
GF15010A	Blister 10	10A
GF15015A	Blister 10	15A
GF15020A	Blister 10	20A
GF15030A	Blister 10	30A


MALE PAL

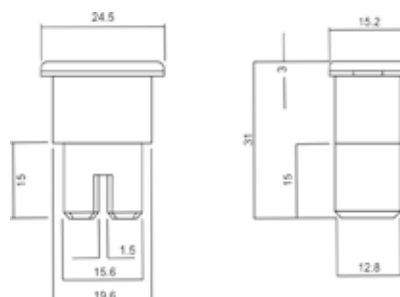

CODE CÓDIGO	QUANT.	AMP
GF18030E	Box/Caja 10	30A
GF18040E	Box/Caja 10	40A
GF18050E	Box/Caja 10	50A
GF18060E	Box/Caja 10	60A
GF18070E	Box/Caja 10	70A
GF18080E	Box/Caja 10	80A
GF18100E	Box/Caja 10	100A
GF18120E	Box/Caja 10	120A


PAL

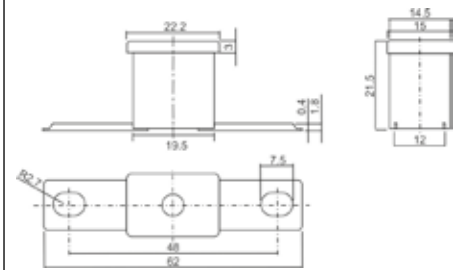

CODE CÓDIGO	QUANT.	AMP
GF16030E	Box/Caja 10	30A
GF16040E	Box/Caja 10	40A
GF16050E	Box/Caja 10	50A
GF16060E	Box/Caja 10	60A
GF16070E	Box/Caja 10	70A
GF16080E	Box/Caja 10	80A
GF16100E	Box/Caja 10	100A
GF16120E	Box/Caja 10	120A


FEMALE PAL

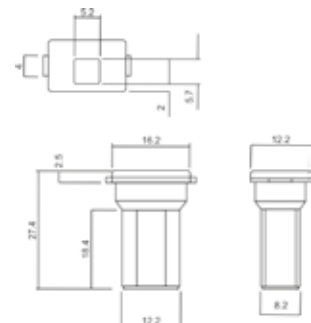

CODE CÓDIGO	QUANT.	AMP
GF19020E	Box/Caja 10	20A
GF19030E	Box/Caja 10	30A
GF19040E	Box/Caja 10	40A
GF19050E	Box/Caja 10	50A
GF19060E	Box/Caja 10	60A
GF19070E	Box/Caja 10	70A
GF19080E	Box/Caja 10	80A


PAL


CODE CÓDIGO	QUANT.	AMP
GF17030E	Box/Caja 10	30A
GF17040E	Box/Caja 10	40A
GF17050E	Box/Caja 10	50A
GF17060E	Box/Caja 10	60A
GF17070E	Box/Caja 10	70A
GF17080E	Box/Caja 10	80A
GF17100E	Box/Caja 10	100A
GF17120E	Box/Caja 10	120A

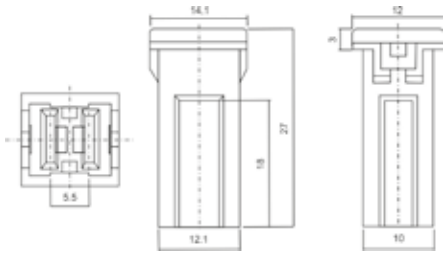

PAL


CODE CÓDIGO	QUANT.	AMP
GF20020F	Box/Caja 20	20A
GF20030F	Box/Caja 20	30A
GF20040F	Box/Caja 20	40A
GF20050F	Box/Caja 20	50A
GF20060F	Box/Caja 20	60A
GF20070F	Box/Caja 20	70A
GF20080F	Box/Caja 20	80A
GF20100F	Box/Caja 20	100A



PAL

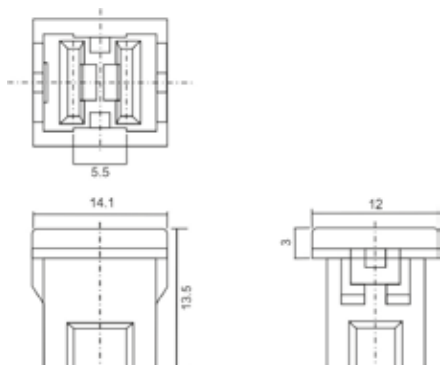

CODE CÓDIGO	QUANT.	AMP
GF21020F	Box/Caja 20	20A
GF21030F	Box/Caja 20	30A
GF21040F	Box/Caja 20	40A
GF21050F	Box/Caja 20	50A
GF21060F	Box/Caja 20	60A
GF21070F	Box/Caja 20	70A
GF21080F	Box/Caja 20	80A
GF21100F	Box/Caja 20	100A


MICRO II BLADE FUSES


CODE CÓDIGO	QUANT.	AMP
GF24005G	Box/Caja 200	5A
GF24007G	Box/Caja 200	7,5A
GF24010G	Box/Caja 200	10A
GF24015G	Box/Caja 200	15A
GF24020G	Box/Caja 200	20A
GF24025G	Box/Caja 200	25A
GF24030G	Box/Caja 200	30A

MINI PAL


CODE CÓDIGO	QUANT.	AMP
GF22020H	Box/Caja 40	20A
GF22030H	Box/Caja 40	30A
GF22040H	Box/Caja 40	40A
GF22050H	Box/Caja 40	50A
GF22060H	Box/Caja 40	60A
GF22070H	Box/Caja 40	70A
GF22080H	Box/Caja 40	80A
GF22100H	Box/Caja 40	100A


STRIPS FUSES


CODE CÓDIGO	QUANT.	AMP
GF25030G	Box/Caja 200	30A
GF25040G	Box/Caja 200	40A
GF25050G	Box/Caja 200	50A
GF25060G	Box/Caja 200	60A
GF25080G	Box/Caja 200	80A
GF25110G	Box/Caja 200	110A
GF25150G	Box/Caja 200	150A
GF25175G	Box/Caja 200	175A

